



Simplex
Infrastructure



Simplex Infrastructure (Pty) Ltd is in collaboration Buenos Air (Pty) Ltd & Metalgama Erection S.L.

Simplex Infrastructure (Pty) Ltd is currently a company that specializes in commercial air conditioning and ventilation installation and manufacturing on medium to large commercial projects.

We have complete over 600 projects, which include some of Johannesburg's largest construction developments.

Years of experience combined with young dedicated personnel will guarantee success for our new branch.

Goals and objectives

We are committed to strengthen our position as a leader in the industry by being honest, efficient and dedicated to ethical business practices. We strive to earn a fair and reasonable profit assuring our continued success.

Values

The following values are the core of us:

Respect – Respecting our clients and each other.

Passion – Be passionate about what we do in the business will improve our standing within the industry.

Ethics – Our ethical conduct is the face of our business and should seek to set an example to our clients and prospective employees.

High Quality – What we do is reflected in our products, solutions and the manner in which we pursue perfection within our business.

Reliability – To count on one another on a daily basis; our employees and managers are one body in respect to growing the business.

What We Do

Manufacture of high-quality duct work at our brand new and highly technological duct shop.

Installation of HVAC systems. We specialize in duct installation, Fans, attenuators, diffusers, grilles/louvres, PERDES and Fire dampers.

No one is better at Measuring on site!

RECTANGULAR DUCTWORK

DUCT DIMENSIONS	GA.	JOINT	TRANSVERSE JOINT TYPE	TRANSVERSE JOINT REINFORCEMENT	INTERMEDIATE REINFORCEMENT	WATER GAUGE
1" WATER GAUGE						
0" - 16"	26	5'	Flat "S" and Drive	Not required	Not required	1"
17" - 28"	26	5'	S & Drive (TDC if drive side above 20")	1"X 22 gauge standing S	Not required	1"
29" - 30"	26	5'	T-25a	Not required	Not required	1"
31" - 42"	24	5'	T-25a	Not required	Not required	1"
43" - 54"	22	5'	T-25a	Not required	Not required	1"
55" - 72"	22	5'	T-25a	Not required	Mid-panel Conduit	1"
73" - 84"	20	5'	T-25a	Conduit	Mid-panel Conduit	1"
85" - 96"	20	5'	T-25a	Conduit	(2) Mid-panel Conduits	1"
97" - 108"	18	5'	T-25a	Conduit	2x3/16 Angle and MP Conduit	1"
109" - 120"	18	5'	T-25a	Conduit	2x3/16 Angle and MP Conduit	1"

2" WATER GAUGE						
0" - 12"	26	5'	Flat "S" and Drive	Not required	Not required	2"
13" - 20"	26	5'	S & Drive (TDC if drive side above 20")	1"X 24 gauge standing S	Not required	2"
21" - 26"	26	5'	T-25a	Not required	Not required	2"
27" - 30"	24	5'	T-25a	Not required	Not required	2"
31" - 42"	24	5'	T-25a	Not required	Mid-panel Conduit	2"
43" - 54"	22	5'	T-25a	Not required	Mid-panel Conduit	2"
55" - 60"	22	5'	T-25a	Conduit	Mid-panel Conduit	2"
61" - 72"	20	5'	T-25a	Conduit	Mid-panel Conduit	2"
73" - 96"	20	5'	T-25a	Conduit	(2) Mid-panel Conduits	2"
97" - 120"	18	5'	T-25a	Conduit	Mid-panel Conduit + 2x2 angle	2"

RECTANGULAR DUCTWORK

DUCT DIMENSIONS	GA.	JOINT	TRANSVERSE JOINT TYPE	TRANSVERSE JOINT REINFORCEMENT	INTERMEDIATE REINFORCEMENT	WATER GAUGE
3" WATER GAUGE						
0" - 12"	26	5'	Flat "S" and Drive	Not required	Not required	3"
13" - 18"	24	5'	S & Drive (TDC if drive side above 20")	1"X 24 gauge standing S	Not required	3"
19" - 22"	24	5'	S & Drive (TDC if drive side above 20")	1"X 22 gauge standing S	Not required	3"
23" - 26"	24	5'	T-25a	Not required	Not required	3"
27" - 30"	22	5'	T-25a	Not required	Not required	3"
31" - 42"	22	5'	T-25a	Not required	Mid-panel Conduit	3"
43" - 54"	22	5'	T-25a	Conduit	Mid-panel Conduit	3"
55" - 60"	20	5'	T-25a	Conduit	Mid-panel Conduit	3"
61" - 84"	20	5'	T-25a	Conduit	(2) Mid-panel Conduits	3"
85" - 96"	18	5'	T-25a	Conduit	(2) Mid-panel Conduits	3"
97" - 120"	18	5'	T-25a	Conduit	2 1/2 x 1/4 Angle + MPC	3"

4" WATER GAUGE						
0" - 12"	26	5'	T-25a	Not required	Not required	4"
13" - 22"	24	5'	T-25a	Not required	Not required	4"
23" - 30"	24	5'	T-25a	Not required	Mid-panel Conduit	4"
31" - 36"	22	5'	T-25a	Not required	Mid-panel Conduit	4"
37" - 42"	22	5'	T-25a	Conduit	Mid-panel Conduit	4"
43" - 60"	20	5'	T-25a	Conduit	Mid-panel Conduit	4"
61" - 72"	20	5'	T-25a	Conduit	(2) Mid-panel Conduits	4"
73" - 96"	18	5'	T-25a	Conduit	(2) Mid-panel Conduits	4"
97" - 120"	18	5'	T-25a	Conduit	2 1/2 x 1/4 Angle + MPT	4"

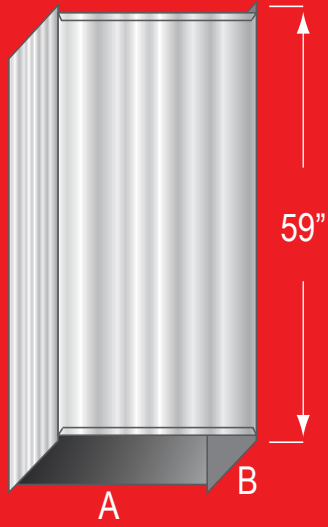
RECTANGULAR DUCTWORK

DUCT DIMENSIONS	GA.	JOINT	TRANSVERSE JOINT TYPE	TRANSVERSE JOINT REINFORCEMENT	INTERMEDIATE REINFORCEMENT	WATER GAUGE
6" WATER GAUGE						
0" - 8"	26	5'	T-25a	Not required	Not required	6"
9" - 12"	24	5'	T-25a	Not required	Not required	6"
13" - 24"	22	5'	T-25a	Not required	Not required	6"
25" - 30"	22	5'	T-25a	Not required	Mid-panel Conduit	6"
31" - 36"	20	5'	T-25a	Not required	Mid-panel Conduit	6"
37" - 60"	20	5'	T-25a	Conduit	Mid-panel Conduit	6"
61" - 72"	18	5'	T-25a	Conduit	Mid-panel Conduit	6"
73" - 84"	18	5'	T-25a	Conduit	(2) Mid-panel Conduits	6"
85" - 96"	18	4'	T-25a	Conduit	(2) Mid-panel Conduits	6"
97" - 120"	18	2'	T-25a	Conduit	N/A	6"

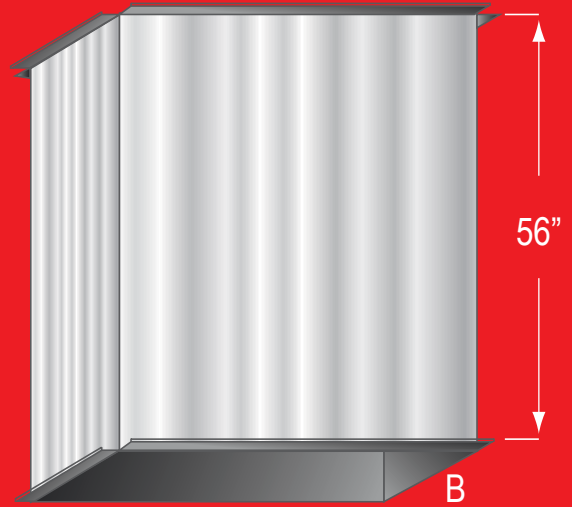


Simplex
Infrastructure

STRAIGHT DUCT

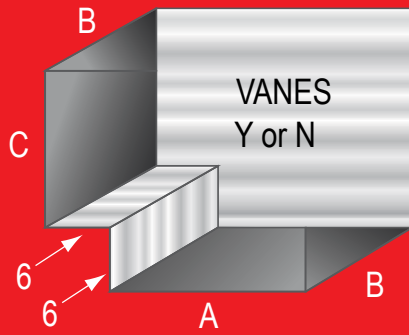


FS-59

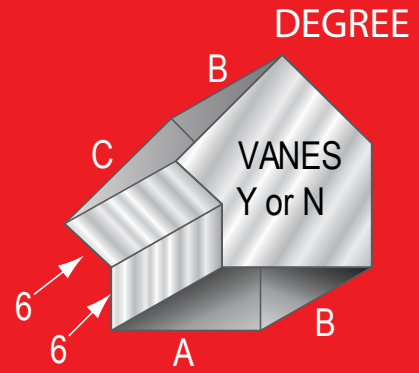


FS-56

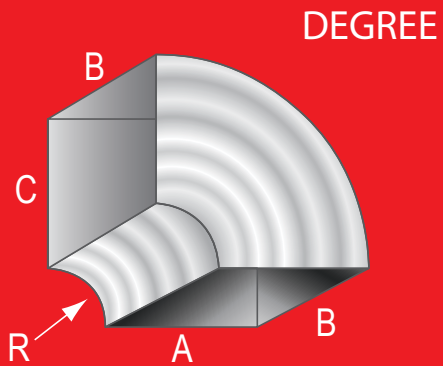
ELBOWS



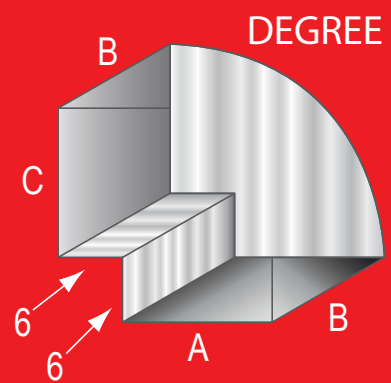
F1



F3



F4

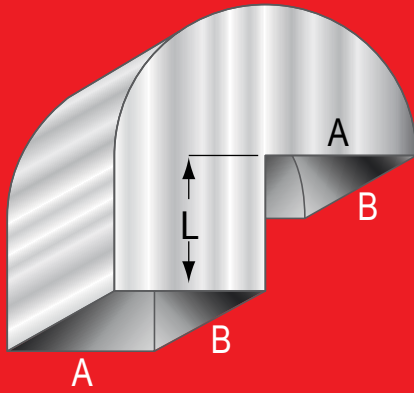


F2

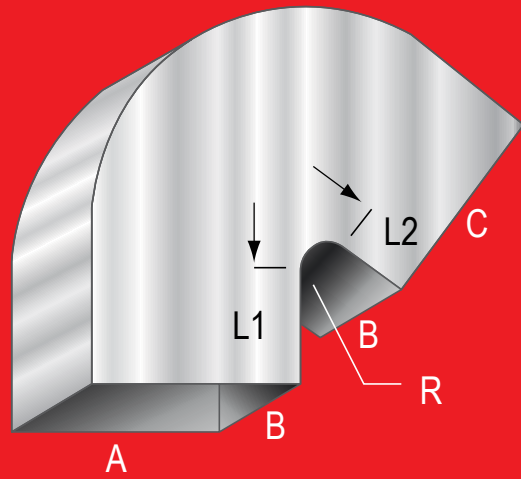


Simplex
Infrastructure

ELBOWS



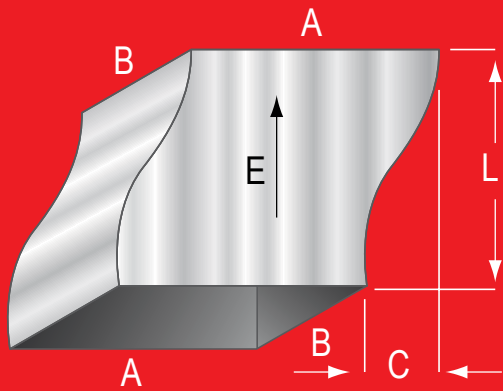
F25



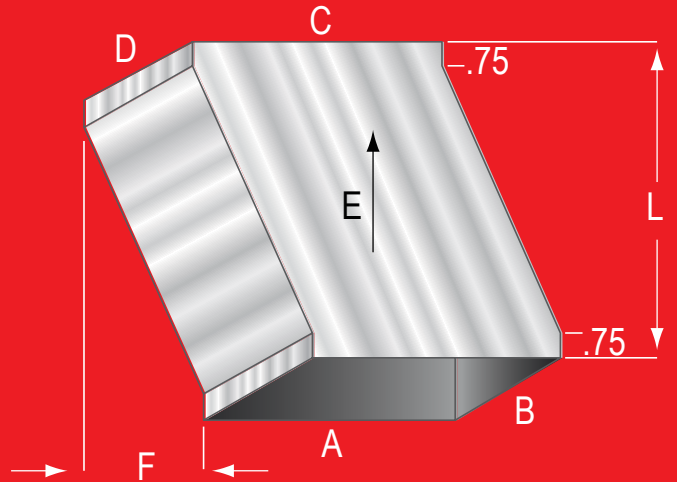
F31



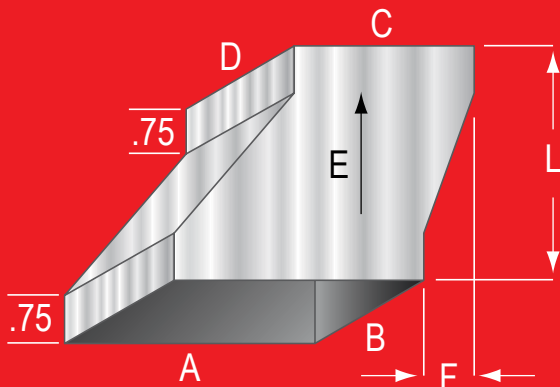
TRANSITION & OFFSETS



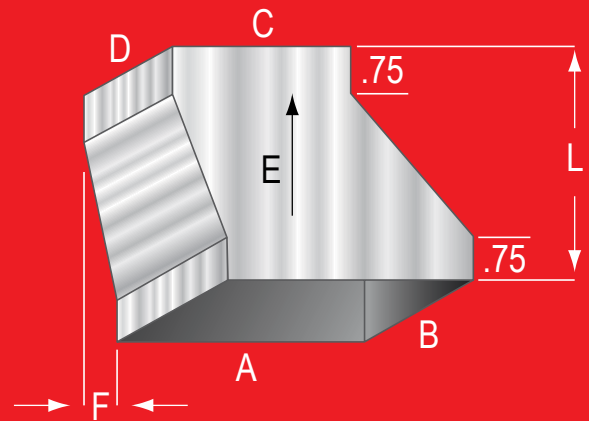
F7



F13



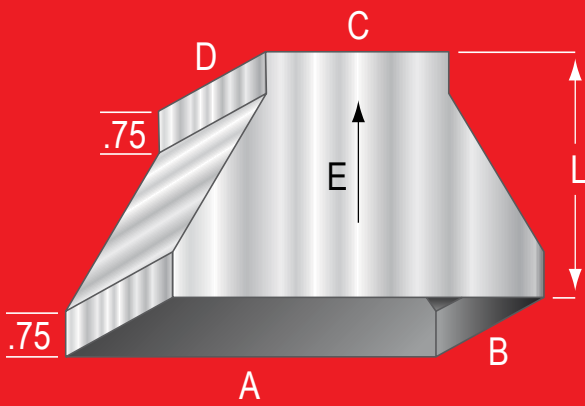
F14



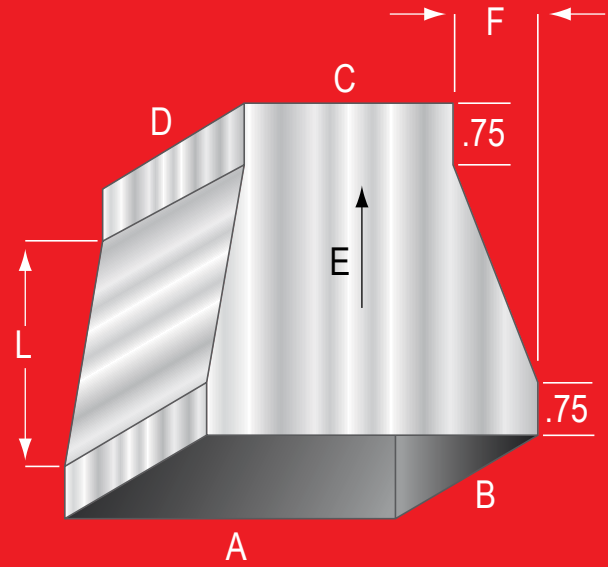
F13TR



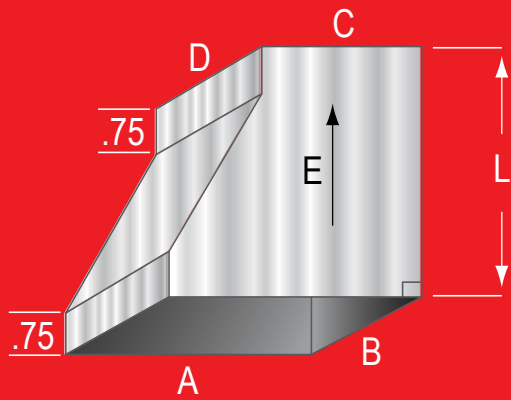
TRANSITION & OFFSETS



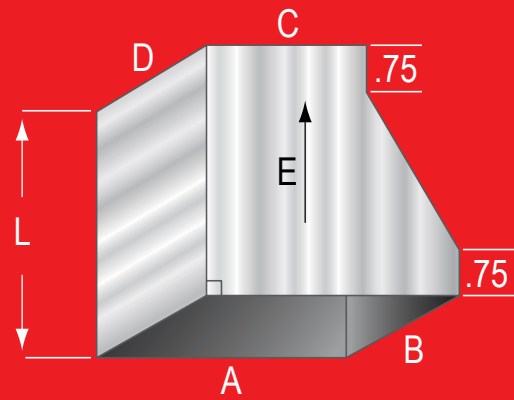
F12



F18



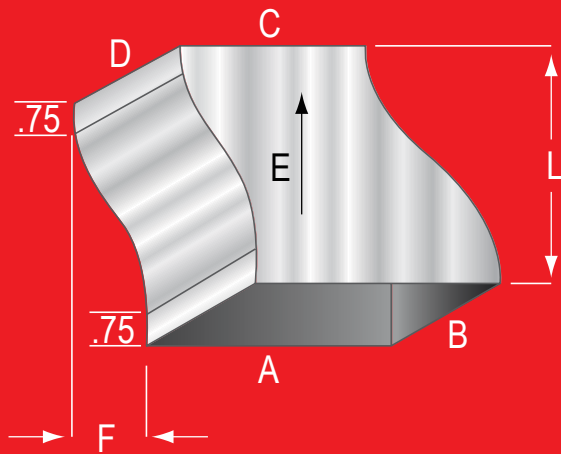
F10



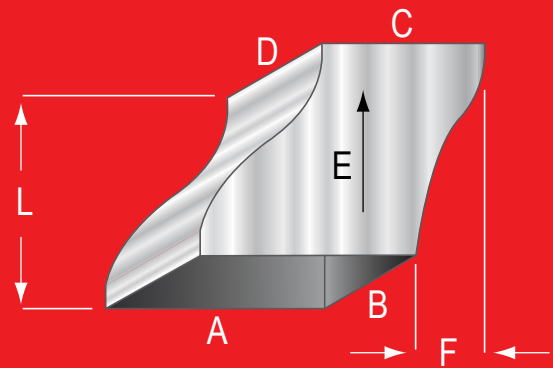
F11



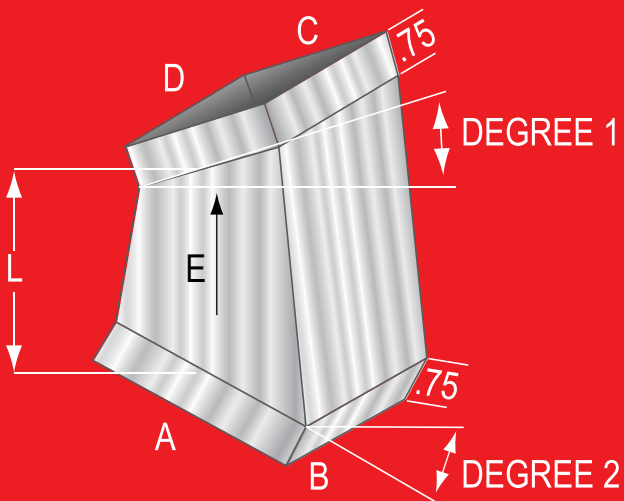
TRANSITION & OFFSETS



F8



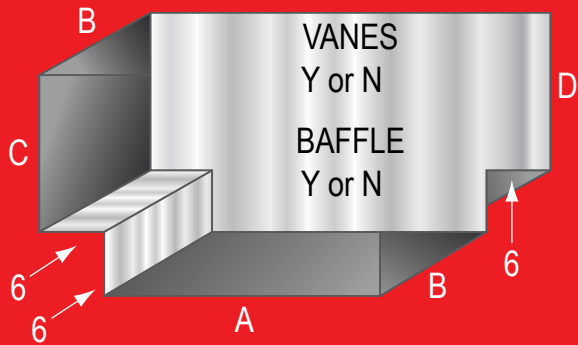
F7



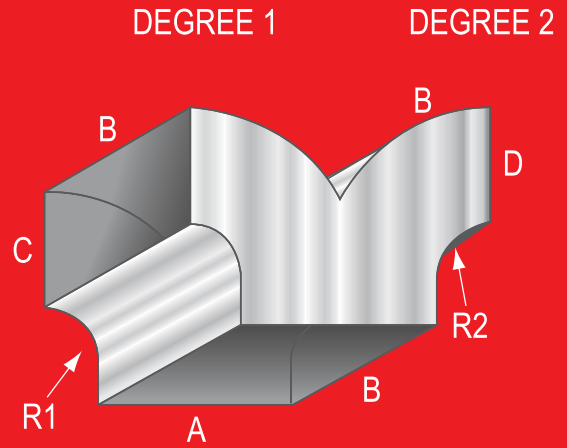
F48



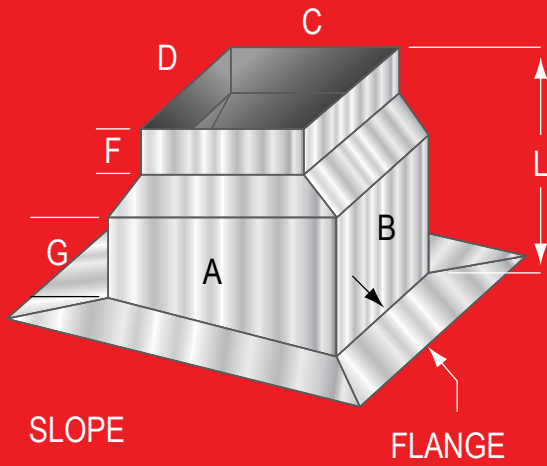
MISCELLANEOUS



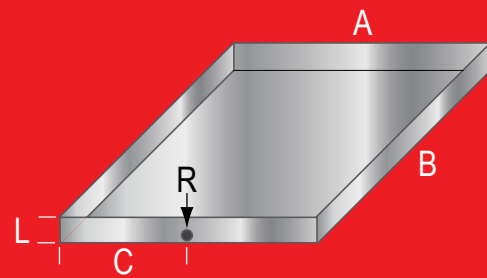
F5



F22



F35

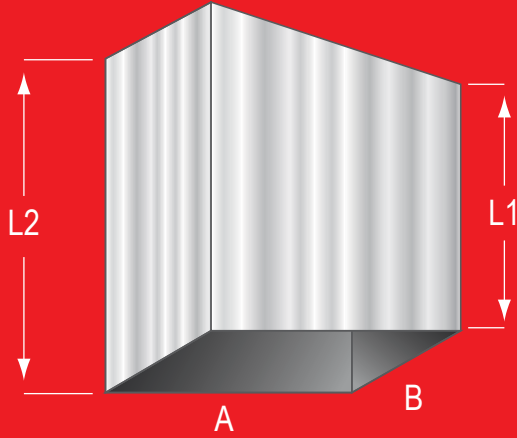


F29

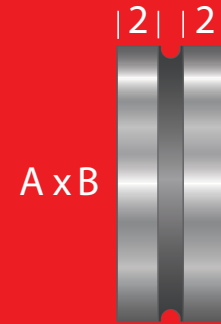


Simplex
Infrastructure

MISCELLANEOUS

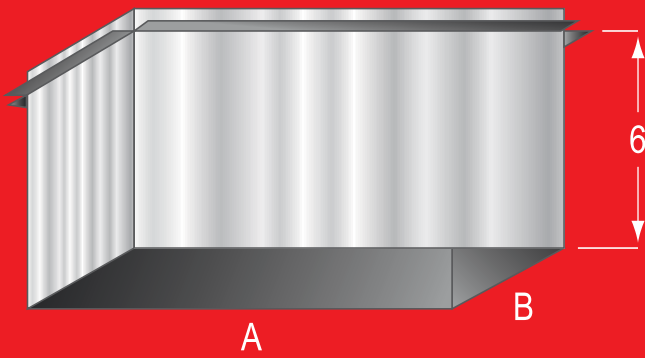


F34

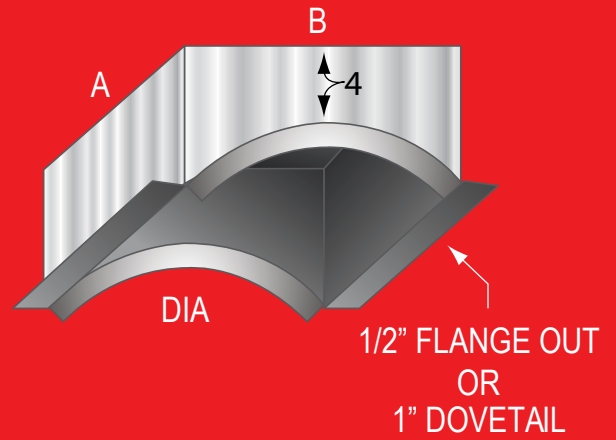


S

TAPS



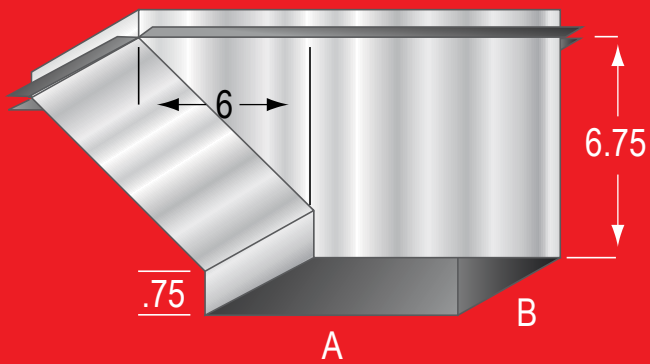
F17



F36

45° ANGLE TAP

KNUCKLE JOINT



F16

Email: info@simplexducting.co.za

Web: www.simplexducting.co.za



Simplex
Infrastructure